

# Accessio

ErP Ready

User-friendly thermofluid radiator for comfort similar to central heating



## COMFORT

- Radiator fitted with user-friendly digital controls driving energy savings
- Thermofluid technology providing homogeneous & long-lasting heat, and no dry air
- Soft homogeneous heat

## SAVINGS

- Up to 25% energy savings\* through finest digital control and programming
- 6-command pilot wire: Comfort, Comfort - 1°C, Comfort - 2°C, Eco, Frost-free, Off
- High-quality electronic thermostat
- ErP-ready



## USER-FRIENDLINESS

- Ergonomic LCD digital controls
- 2 modes: Manual/Prog
- ASP (Anti-Staining Process) to reduce staining on wall and on equipment
- Easy to install: H-shaped vertical support

## DESIGN

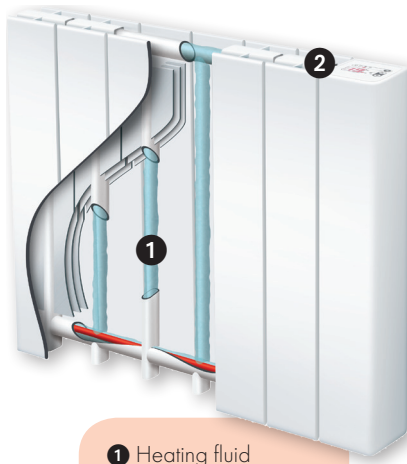
- Colour: white (RAL 9016)



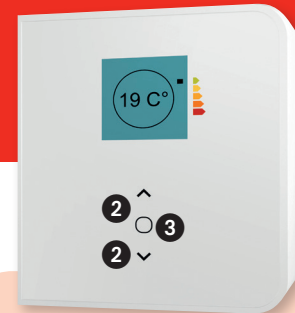
 <p>Model available**</p>	<p>GENTLE HEAT RADIATOR 300 TO 2000 W</p> <p>Output</p>	<p>UP TO <b>+25%</b> ENERGY SAVINGS*</p> <p>Energy saving</p>
 <p>LCD digital controls</p>	<p>HEAT CONDUCTING <b>FLUID</b></p> <p>Heating element type</p>	

\* Compared with a mechanical convector

\*\* Model types: A: Horizontal / B: Vertical / C: Plinth

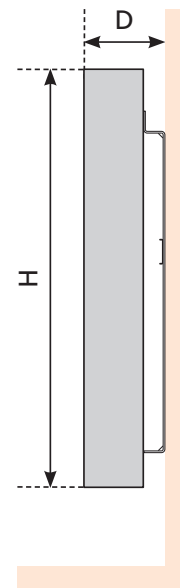
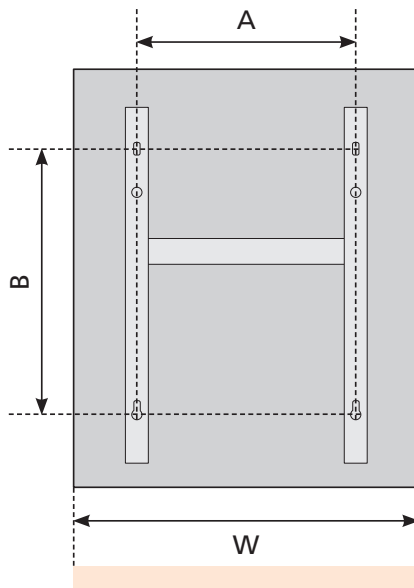


- 1 Heating fluid
- 2 LCD digital controls



- 1 Digital screen showing temperature and energy consumption
- 2 Navigation buttons
- 3 Access to menu/validation

## INSTALLATION DIMENSIONS (in mm)



## ACCESSIO

### TECHNICAL DATA

OUTPUT (W)	DIMENSIONS (mm)					NET WEIGHT (kg)
	Width (W)	Height (H)	Depth (D)	A	B	
300	410	575	127	161.1	354	8.25
500	410	575	127	161.1	354	8.25
750	490	575	127	241.7	354	9.9
1000	490	575	127	241.7	354	9.9
1250	651	575	127	400	354	13.2
1500	732	575	127	400	354	14.8
2000	973	575	127	724.9	354	19.7